

Discover the Enchanting World of Gaff Rig Sailing: The Gaff Rig Handbook

Unlock the Secrets of Sailing Heritage with The Gaff Rig Handbook

Embark on a maritime adventure like no other as we delve into the rich history, intricate design, and captivating techniques of gaff rig sailing with "The Gaff Rig Handbook: History, Design, Techniques, Developments." This comprehensive guide is your ultimate companion to understanding and appreciating the beauty and functionality of traditional sailing vessels.

Unveiling the Timeless History of Gaff Rigs

Sail back in time to the origins of gaff rigs, tracing their evolution from ancient sailboats to the tall ships that dominated the seas. Explore the unique characteristics of different gaff rig configurations, including lugsails, spritsails, and lateen sails, and discover how they have influenced sailing practices throughout history.



The Gaff Rig Handbook: History, Design, Techniques, Developments by John Leather

★★★★☆ 4.4 out of 5

Language : English
File size : 23831 KB
Text-to-Speech : Enabled
Screen Reader : Supported
Enhanced typesetting : Enabled
Word Wise : Enabled
Print length : 448 pages

FREE

DOWNLOAD E-BOOK

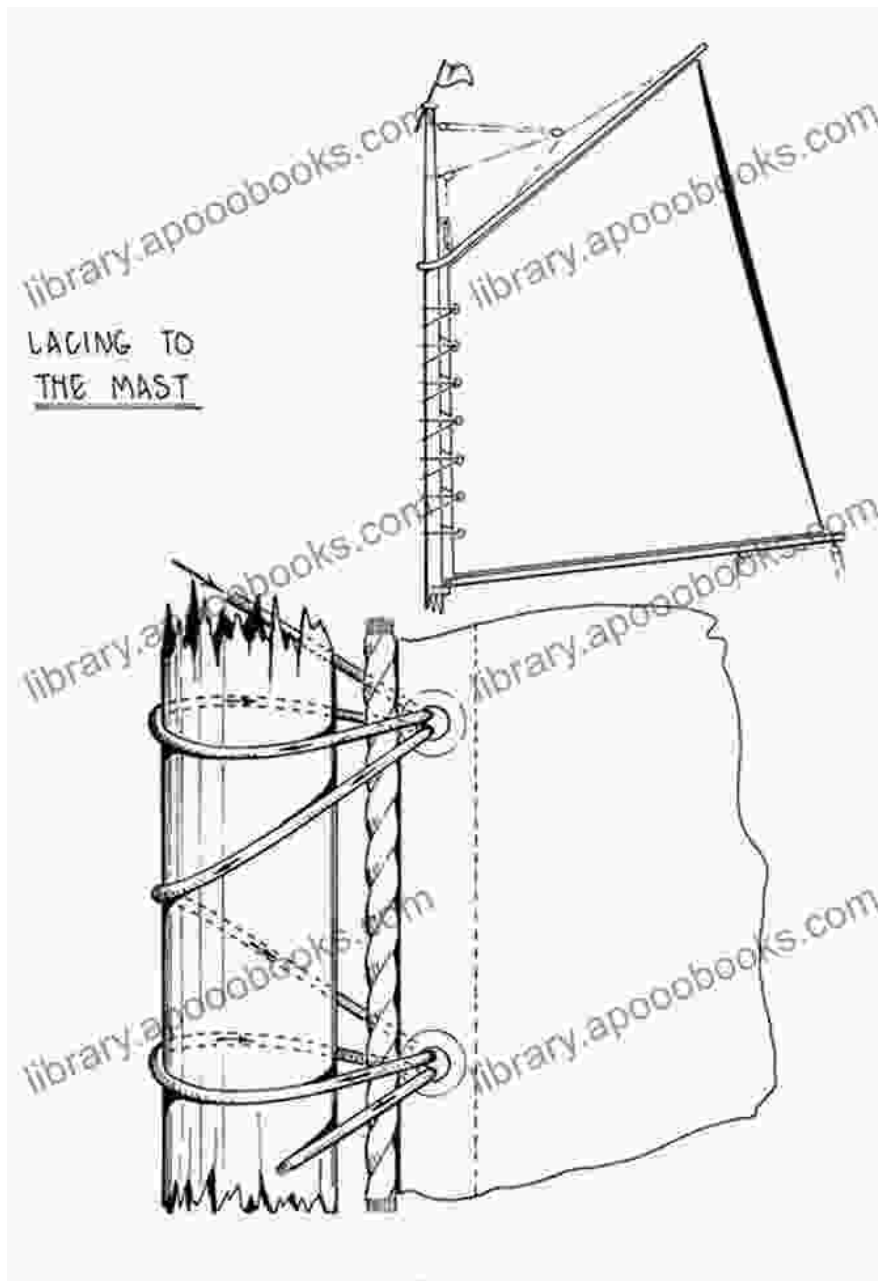




Mastering Gaff Rig Design and Construction

Become a master of gaff rig design with detailed chapters covering hull shapes, sail plans, and rigging configurations. Learn about the essential components of a gaff rig, including masts, spars, sails, and rigging, and how they contribute to the performance and efficiency of the vessel.

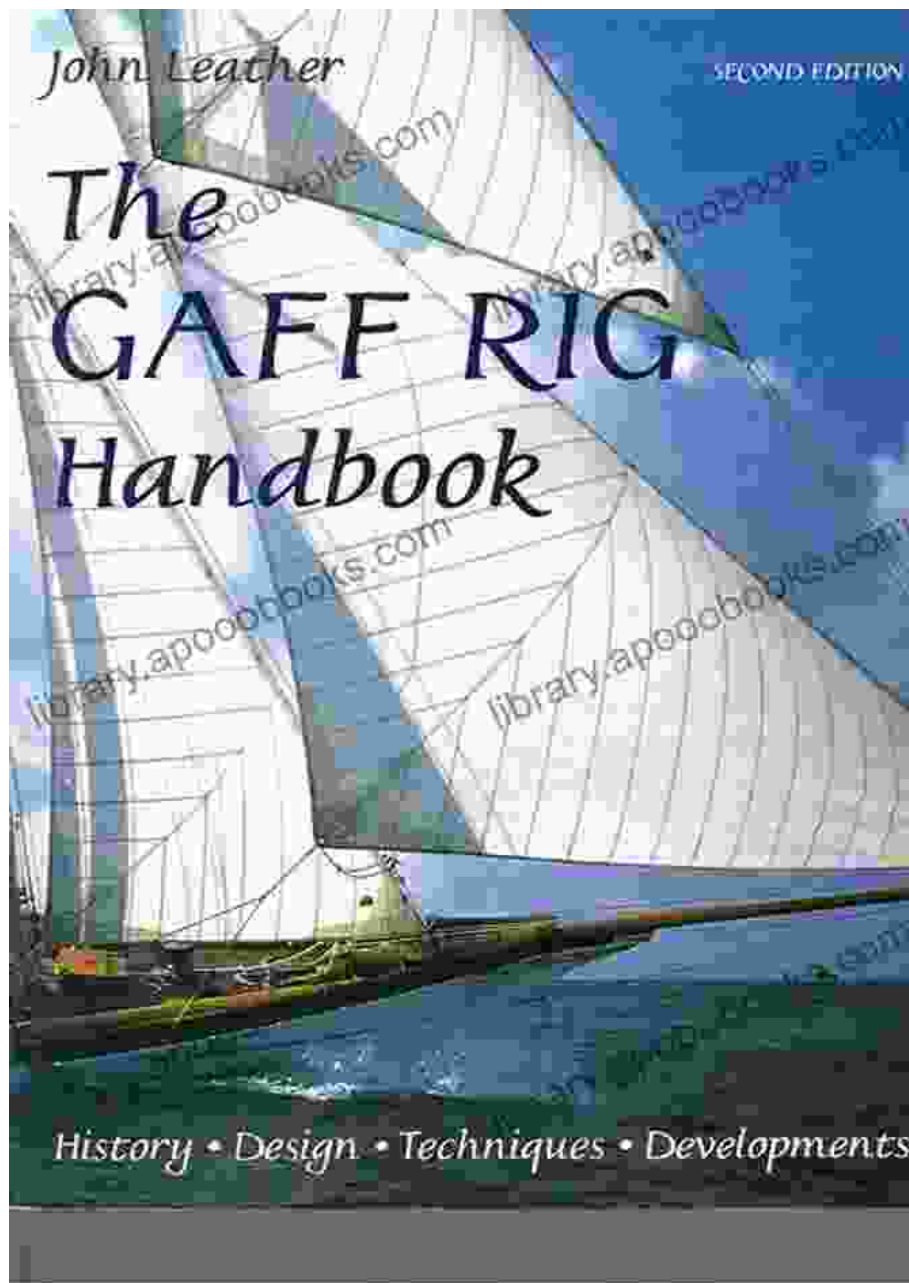
With expert guidance, you'll explore the intricacies of sail design, from sail shape and area to fabric choice and rigging techniques. Understand the principles of sail balance and how to tune your sails for optimal performance in various wind conditions.



Gaff Rig Techniques: A Journey of Skill and Finesse

Embark on a practical journey into the world of gaff rig techniques. Discover the art of setting and handling gaff sails, from basic knots and splicing to advanced sail trimming and reefing. Learn how to navigate the challenges of tacking, jibing, and anchoring with confidence.

Through step-by-step instructions and clear illustrations, this handbook demystifies the complexities of gaff rig sailing, enabling you to develop the skills and judgment to sail these vessels safely and efficiently.



Modern Developments and Future of Gaff Rigging

Explore the evolution of gaff rigs in the modern era, including the resurgence of traditional sailing and the development of innovative

materials and technologies. Discover the efforts of boatbuilders and sailors to preserve and enhance the heritage of gaff rig sailing.

Look ahead to the future of gaff rigging, as enthusiasts and designers continue to explore the potential for sustainability, efficiency, and performance. This handbook provides a glimpse into the exciting possibilities that lie ahead for this timeless sailing tradition.



Why "The Gaff Rig Handbook" is Essential Reading for Sailors

- **Comprehensive Coverage:** Delves into every aspect of gaff rig sailing, from history and design to techniques and developments.
- **Expert Guidance:** Written by experienced sailors and designers, providing authoritative knowledge and practical insights.
- **Practical Applications:** Guides you through the complexities of gaff rig sailing, empowering you with confidence on the water.
- **Timeless Treasure:** Preserves the heritage and legacy of gaff rig sailing for future generations of sailors.
- **Essential Reference:** A comprehensive resource for anyone interested in the history, design, and practice of gaff rig sailing.

Free Download Your Copy Today and Set Sail into the World of Gaff Rigging

Embrace the allure of gaff rig sailing with "The Gaff Rig Handbook: History, Design, Techniques, Developments." This invaluable guide will enrich your understanding, enhance your skills, and inspire you to embark on unforgettable sailing adventures. Free Download your copy today and set sail into the enchanting world of gaff rig sailing.

Available Now on Our Book Library and Barnes & Noble!

story.ap000books.com

story.ap000books.com



We Do **MORE** Than Books

story.ap000books.com

story.ap000books.com



The Gaff Rig Handbook: History, Design, Techniques, Developments by John Leather

★★★★☆ 4.4 out of 5

Language : English
File size : 23831 KB
Text-to-Speech : Enabled
Screen Reader : Supported
Enhanced typesetting : Enabled
Word Wise : Enabled

Print length : 448 pages

FREE

DOWNLOAD E-BOOK



Her Dragon to Slay: Embark on an Epic Journey of Adventure and Empowerment

In a realm where shadows dance and legends whisper, a young woman named Anya finds herself at a crossroads destiny. Burdened by a past she can scarcely remember and haunted...



101 Best Marine Invertebrates: The Adventurous Aquarist's Guide

Unveiling the Enchanting Realm of Underwater Life Embark on an awe-inspiring journey into the captivating world of marine invertebrates with our meticulously...