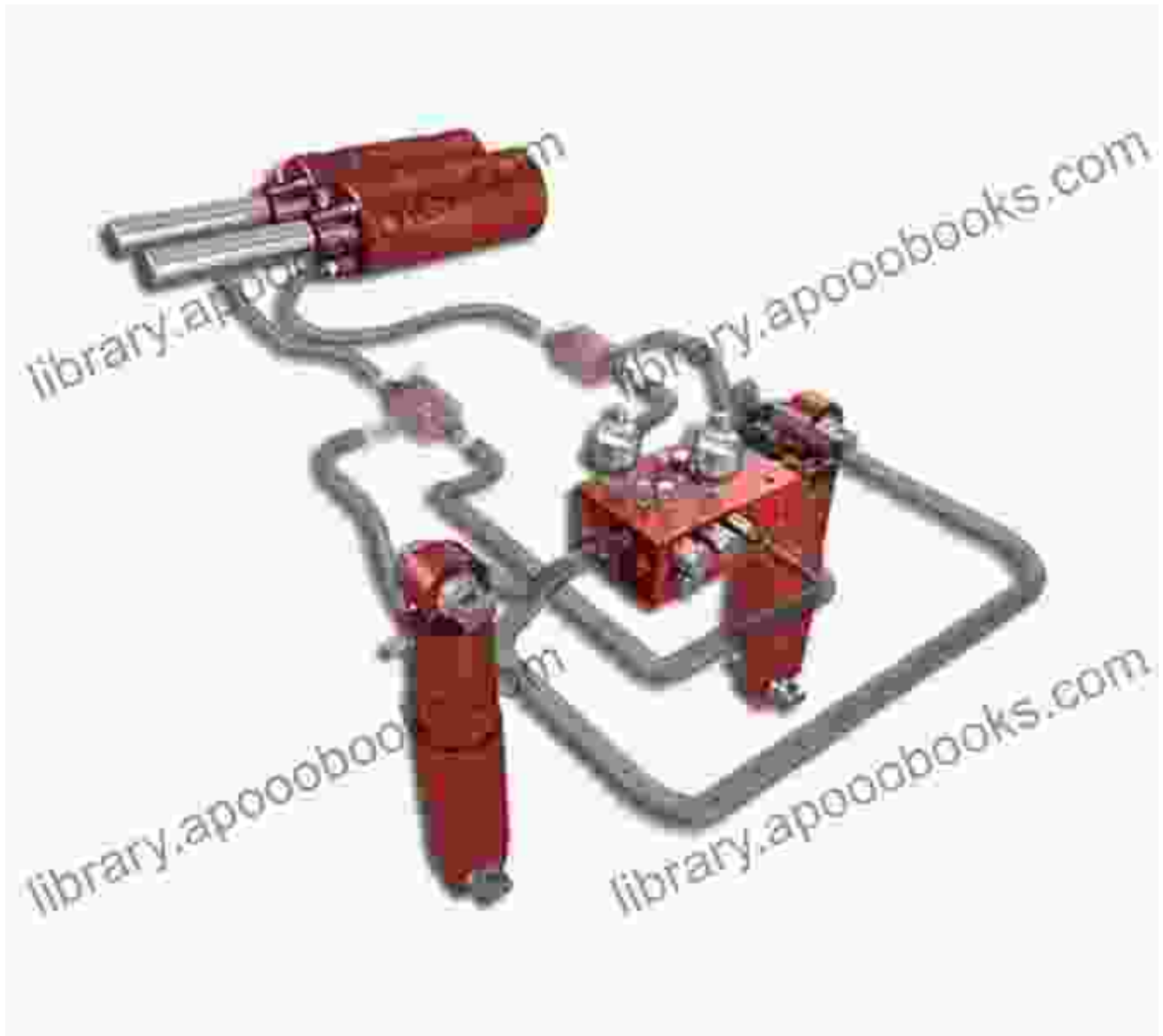


# Embark on a Comprehensive Journey into the Realm of Hydropneumatic Suspension Systems



**Author:** Karlene Petitt

**Hydropneumatic Suspension Systems** by Karlene Petitt

★★★★☆ 4.7 out of 5



Language : English  
File size : 31287 KB  
Text-to-Speech : Enabled  
Screen Reader : Supported  
Enhanced typesetting : Enabled  
Print length : 516 pages



**Publisher:** SAE International

: 978-0768072881

In the dynamic world of automotive engineering, suspension systems play a pivotal role in ensuring ride comfort, handling stability, and overall vehicle performance. Among the various types of suspension systems, hydro-pneumatic suspensions have emerged as a sophisticated and highly effective solution.

Karlene Petitt, a renowned expert in the field, has penned a comprehensive and authoritative book entitled "Hydro-pneumatic Suspension Systems." This seminal work delves deep into the intricacies of hydro-pneumatic suspensions, providing readers with a thorough understanding of their design, operation, and applications.

### **Key Concepts and Principles**

Petitt's book meticulously explains the fundamental principles and concepts underlying hydro-pneumatic suspension systems. Readers will gain insights into:

- **Gas Spring Technology:** The book elucidates the vital role of gas springs in hydropneumatic suspensions. Readers will learn about gas spring types, their properties, and how they contribute to suspension performance.
- **Hydraulic Circuits and Control Systems:** Petitt delves into the design and analysis of hydraulic circuits and control systems used in hydropneumatic suspensions. Readers will grasp the principles of pressure generation, flow control, and valve actuation.
- **Suspension Kinematics and Dynamics:** The book explores the kinematics and dynamics of hydropneumatic suspensions. Readers will comprehend the influence of suspension parameters on ride comfort, handling stability, and vehicle response.

## Practical Applications

Beyond theoretical concepts, Petitt's book also delves into the practical applications of hydropneumatic suspension systems. Readers will learn about:

- **Automotive Applications:** The book provides detailed insights into the use of hydropneumatic suspensions in various automotive applications, including passenger cars, SUVs, and commercial vehicles.
- **Industrial Applications:** Petitt explores the applications of hydropneumatic suspensions in industrial settings, such as material handling equipment and off-highway vehicles.
- **Aerospace Applications:** The book discusses the utilization of hydropneumatic suspensions in aerospace applications, particularly in

landing gear systems.

## **Benefits and Advantages**

Petitt's book highlights the numerous benefits and advantages of hydropneumatic suspension systems, including:

- **Enhanced Ride Comfort:** Hydropneumatic suspensions effectively isolate the vehicle from road irregularities, providing passengers with a more comfortable and refined ride.
- **Improved Handling Stability:** These systems allow for precise control of vehicle attitude and reduce body roll during cornering, enhancing handling stability and safety.
- **Self-Leveling Capabilities:** Hydropneumatic suspensions automatically adjust the vehicle's ride height, ensuring a consistent level of performance regardless of load variations.
- **Reduced Maintenance:** Compared to traditional suspension systems, hydropneumatic suspensions require minimal maintenance, as they are largely self-contained and enclosed.

## **Design Considerations and Challenges**

Petitt's book also addresses the challenges and considerations involved in designing and implementing hydropneumatic suspension systems.

Readers will gain insights into:

- **Component Selection:** The book emphasizes the importance of selecting appropriate components for hydropneumatic systems, including gas springs, hydraulic pumps, and control valves.

- **System Integration:** Petitt explores the challenges of integrating hydropneumatic suspensions with other vehicle components, such as braking systems and electronic control units.
- **Performance Testing and Evaluation:** The book provides guidance on conducting performance testing and evaluation of hydropneumatic suspension systems to ensure optimal functionality.

Karlene Petitt's "Hydropneumatic Suspension Systems" is an invaluable resource for engineers, researchers, and enthusiasts alike. Its comprehensive coverage, clear explanations, and practical insights make it an essential reference for anyone seeking a deeper understanding of these advanced suspension systems.

Whether you are a student pursuing advanced knowledge, an engineer seeking practical applications, or simply an automotive enthusiast fascinated by the intricacies of vehicle dynamics, Petitt's book will captivate and enrich your understanding of hydropneumatic suspension systems.

Embrace the world of hydropneumatic suspensions and unlock the secrets to enhanced ride comfort, handling stability, and overall vehicle performance. Dive into Karlene Petitt's authoritative work and embark on a transformative journey into the realm of automotive engineering.



## **Hydropneumatic Suspension Systems** by Karlene Petitt

★★★★☆ 4.7 out of 5

Language : English

File size : 31287 KB

Text-to-Speech : Enabled

Screen Reader : Supported

Enhanced typesetting : Enabled

Print length : 516 pages

FREE

DOWNLOAD E-BOOK



## Her Dragon to Slay: Embark on an Epic Journey of Adventure and Empowerment

In a realm where shadows dance and legends whisper, a young woman named Anya finds herself at a crossroads destiny. Burdened by a past she can scarcely remember and haunted...



## 101 Best Marine Invertebrates: The Adventurous Aquarist's Guide

Unveiling the Enchanting Realm of Underwater Life Embark on an awe-inspiring journey into the captivating world of marine invertebrates with our meticulously...